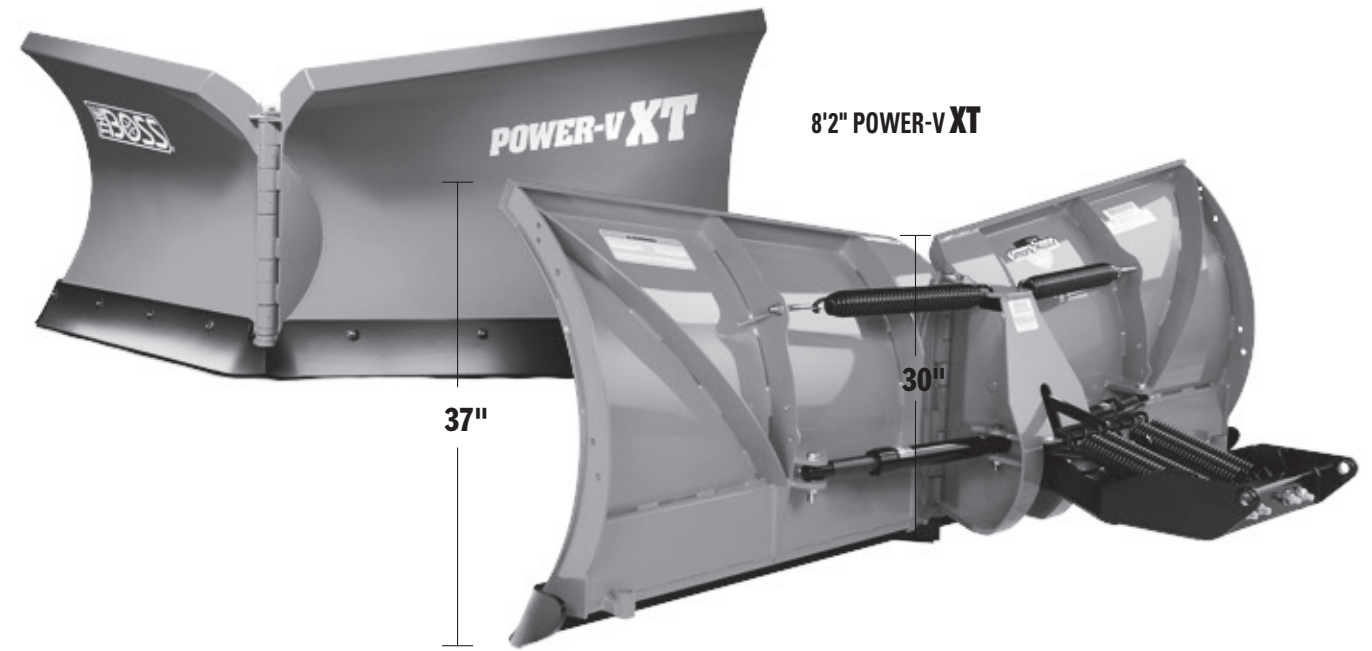


8'2" POLY POWER-V XT



8'2" POWER-V XT

**POWER-V XT.** Boasting 37" (8'2" model) and 38" tall (9'2" model) flared blade wings with an enhanced curl, **THE BOSS Power-V XT** throws snow higher and farther than any other plow on the market. The super-slick polyethylene surface of the Poly Power-V XT keeps snow from sticking, saving you time, fuel and wear and tear on your truck. Or choose the long-lasting Steel Power-V XT, which features a baked-on powder-coat paint finish with exclusive zinc primer to resist corrosion.

## XT PLOWS

**POWER-V XT    STEEL 8'2" 9'2"    POLY 8'2" 9'2"**

### STANDARD FEATURES:



- **1/2" X 6" HIGH-PERFORMANCE CUTTING EDGE** provides extended wear resistance and comes with built-in curb guards and snow catcher.
- **HIGH-PERFORMANCE HYDRAULIC PACKAGE** delivers unmatched reliability and speed.
- **ENCLOSED HYDRAULICS** protects against corrosion and hydraulic freeze-up.
- **CHAINLESS HYDRAULIC CYLINDER LIFTING SYSTEM** eliminates snowplow bounce during transport.
- **FULL MOLDBOARD TRIP DESIGN** prevents plow damage when an obstacle is encountered.
- **HEAVY-DUTY PUSH FRAME** for additional strength and reliability.
- **REINFORCED MOLDBOARD** increases blade rigidity.
- **TWO-YEAR LIMITED WARRANTY** protects against material defects for peace of mind.

### ADD MORE WIDTH. GET MORE DONE.

**THE BOSS PLOW WINGS.** Increase your plow blade width by a full 22 inches at a 30-degree angle in just seconds. More width means less passes, which means you get the job done even faster. **THE BOSS** plow wings are designed with tough tubular steel, so when they are attached, they become an extension of the plow's tough steel frame and not a flimsy add-on. See pages 19-20 for more information.

